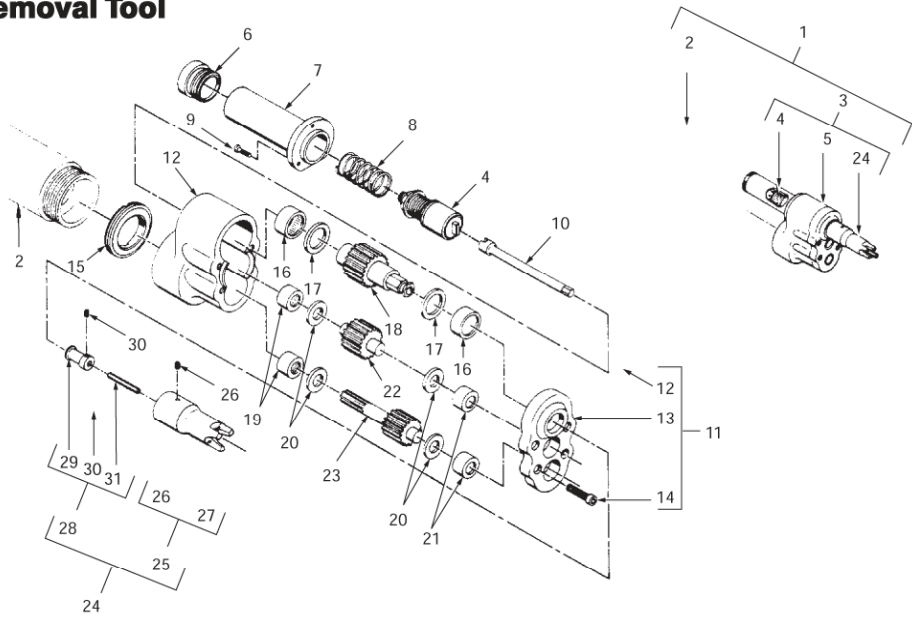


# HLU3R

## Non Interference Fit Collar Removal Tool Cutter Nose Piece



ITEM	PART NO.	DESCRIPTION	QTY 1/16	QTY 5/64	QTY 3/32	QTY 1/8	QTY 5/32	ITEM	PART NO.	DESCRIPTION	QTY 1/16	QTY 5/64	QTY 3/32	QTY 1/8	QTY 5/32
1	HLA6000-5	Complete tool assy.	1	-	-	-	-	24	HLC5-5	... Nose piece assy.	1	-	-	-	-
1	HLA6000-6	Complete tool assy.	-	1	-	-	-	24	HLC5-6	... Nose piece assy.	-	1	-	-	-
1	HLA6000-8	Complete tool assy.	-	-	1	-	-	24	HLC5-8	... Nose piece assy.	-	-	1	-	-
1	HLA6000-10	Complete tool assy.	-	-	-	1	-	24	HLC5-10	... Nose piece assy.	-	-	-	1	-
1	HLA6000-12	Complete tool assy.	-	-	-	-	1	24	HLC5-12	... Nose piece assy.	-	-	-	-	1
2	HLB1174-005	... Air motor assy.	1	1	1	1	1	25	HLC7-5	... Cutter assy.	1	-	-	-	-
3	HLU3R-5	... Driver assy.	1	-	-	-	-	25	HLC7-6	... Cutter assy.	-	1	-	-	-
3	HLU3R-6	... Driver assy.	-	1	-	-	-	25	HLC7-8	... Cutter assy.	-	-	1	-	-
3	HLU3R-8	... Driver assy.	-	-	1	-	-	25	HLC7-10	... Cutter assy.	-	-	-	1	-
3	HLU3R-10	... Driver assy.	-	-	-	1	-	25	HLC7-12	... Cutter assy.	-	-	-	-	1
3	HLU3R-12	... Driver assy.	-	-	-	-	1	26	10-32 x 3/16 lg.	... Set screw, soc Nylok	1	1	1	1	1
4	HLXA4-56	... Clutch assy.	1	1	-	-	-	27	HLC6-5	... Tool, removal	1	-	-	-	-
4	HLXA4-8	... Clutch assy.	-	-	1	-	-	27	HLC6-6	... Tool, removal	-	1	-	-	-
4	HLXA4-1012	... Clutch assy.	-	-	-	1	-	27	HLC6-8	... Tool, removal	-	-	1	-	-
5	HLG105	... Gear housing assy.	1	1	1	1	1	27	HLC6-10	... Tool, removal	-	-	-	1	-
6	HLB115	... Clutch cap	1	1	1	1	1	27	HLC6-12	... Tool, removal	-	-	-	-	1
7	HLB116	... Sleeve assy.	1	1	1	1	1	28	HLW113-5	... Wrench tip holder assy.	1	-	-	-	-
8	HLB114	... Spring	1	1	1	1	1	28	HLW113-6	... Wrench tip holder assy.	-	1	-	-	-
9	4-40 UNC x 3/8 lg.	... Cap screw, socket head	3	3	3	3	3	28	HLW113-8	... Wrench tip holder assy.	-	-	1	-	-
10	HLB118	... Clutch shaft	1	1	1	1	1	28	HLW113-10	... Wrench tip holder assy.	-	-	-	1	-
11	HLB121	... Housing assy.	1	1	1	1	1	28	HLW113-12	... Wrench tip holder assy.	-	-	-	-	1
12	Not sold separately	... Housing, rear	1	1	1	1	1	29	HLW223-5	... Holder	1	-	-	-	-
13	Not sold separately	... Housing, front	1	1	1	1	1	29	HLW223-6	... Holder	-	1	-	-	-
14	6-32 UNC x 5/8 lg.	... Soc screw, soc hd	4	4	4	4	4	29	HLW223-8	... Holder	-	-	1	-	-
15	HLB112	... Jam nut	1	1	1	1	1	29	HLW223-10	... Holder	-	-	-	1	-
16	B-85	... Bearing (Torrington)	2	2	2	2	2	29	HLW223-12	... Holder	-	-	-	-	1
17	19659	... Washer, thrust	2	2	2	2	2	30	5-40 UNC x 1/8 lg.	... Set screw	1	1	1	1	1
18	HLB117	... Gear, socket drive	1	1	1	1	1	31	HLT140-062	... Wrench tip	1	-	-	-	-
19	B-55	... Bearing (Torrington)	2	2	2	2	2	31	HLT140-078	... Wrench tip	-	1	-	-	-
20	19658	... Washer, thrust	4	4	4	4	4	31	HLT140-094	... Wrench tip	-	-	1	-	-
21	M551	... Bearing (Torrington)	2	2	2	2	2	31	HLT140-125	... Wrench tip	-	-	-	1	-
22	HLB119	... Gear, idler	1	1	1	1	1	31	HLT140-156	... Wrench tip	-	-	-	-	1
23	HLB120	... Gear, drive shaft	1	1	1	1	1								

**HLU3R  
NON INTERFERENCE FIT COLLAR REMOVAL TOOL CUTTER NOSE PIECE**